

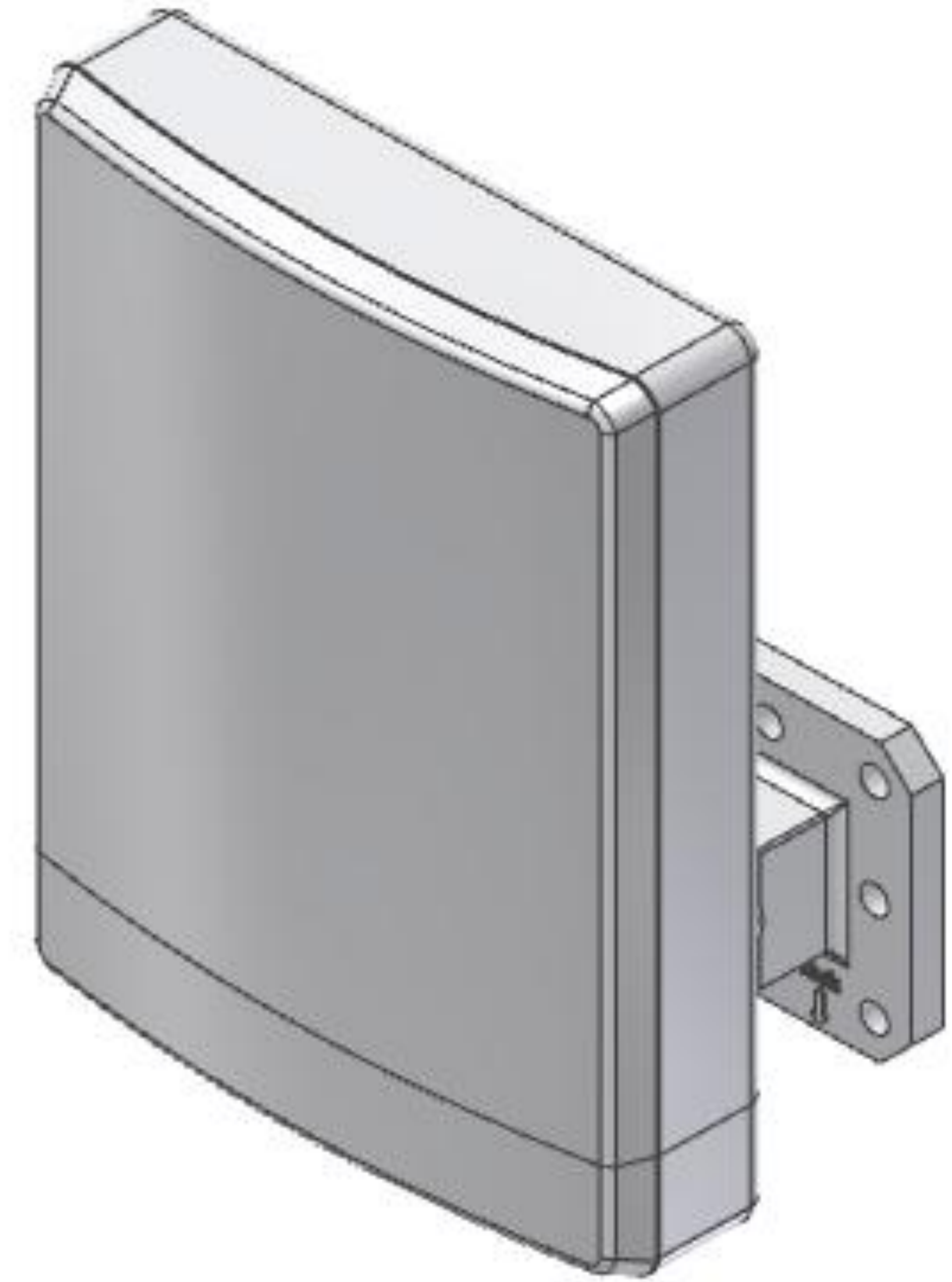
WCDMA Patch Antenna

1920 ~ 2170 MHz / 8 dBi

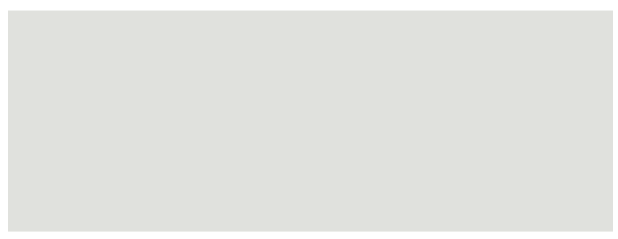
IMT-WFPA-08

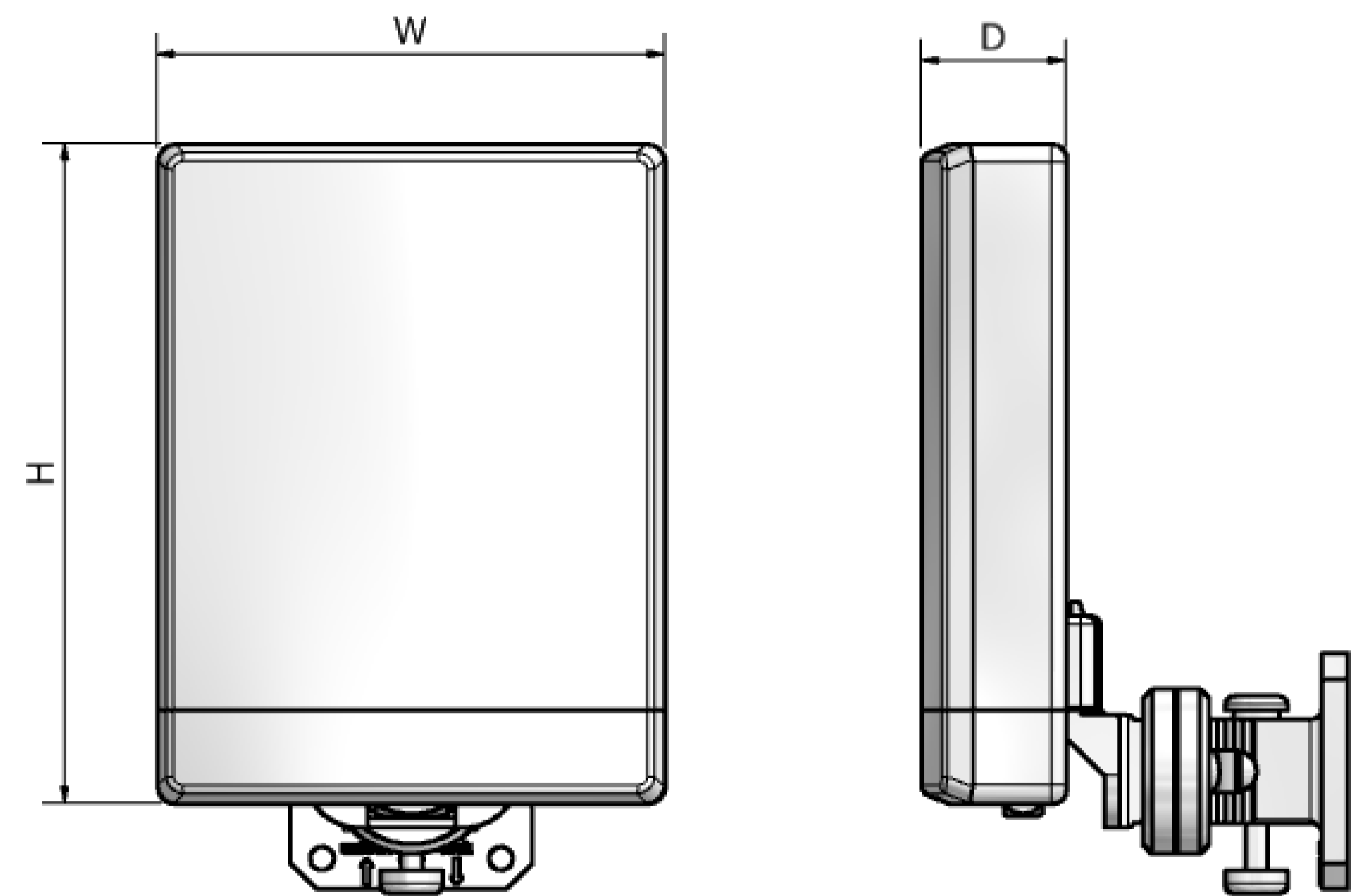
i. Electrical Specification

Frequency Range	1920 ~ 2170 MHz	
Polarization	Vertical	
Band Width	250 MHz	
Gain	≥ 8 dBi	
Beam width	Horizontal	70° ± 10°
	Vertical	60° ± 10°
F-B ratio	≥ 13 dB	
VSWR	≤ 1 : 1.5	
Impedance	50 Ω	
Maximum input power	20 W	

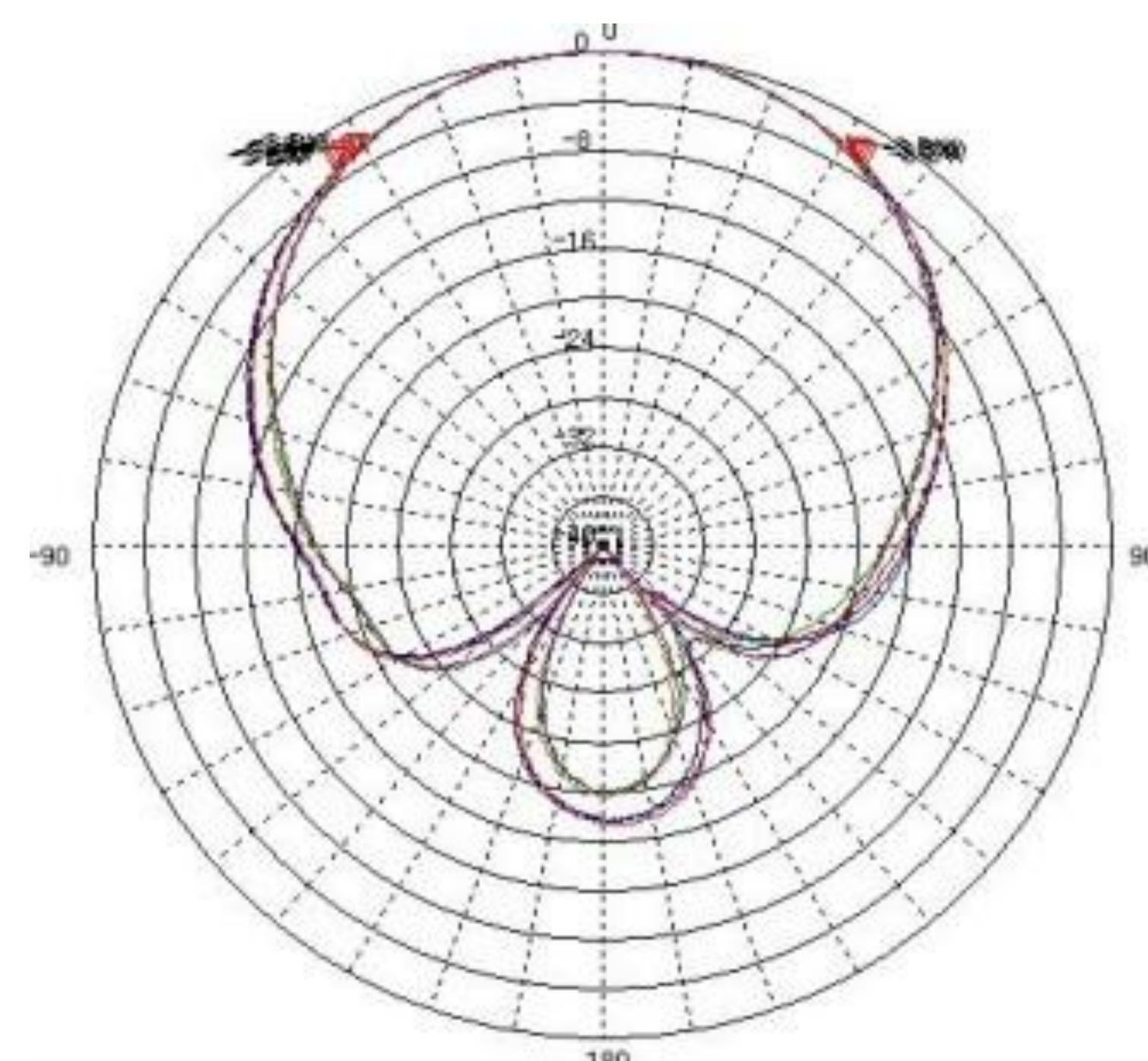


ii. Mechanical Specification

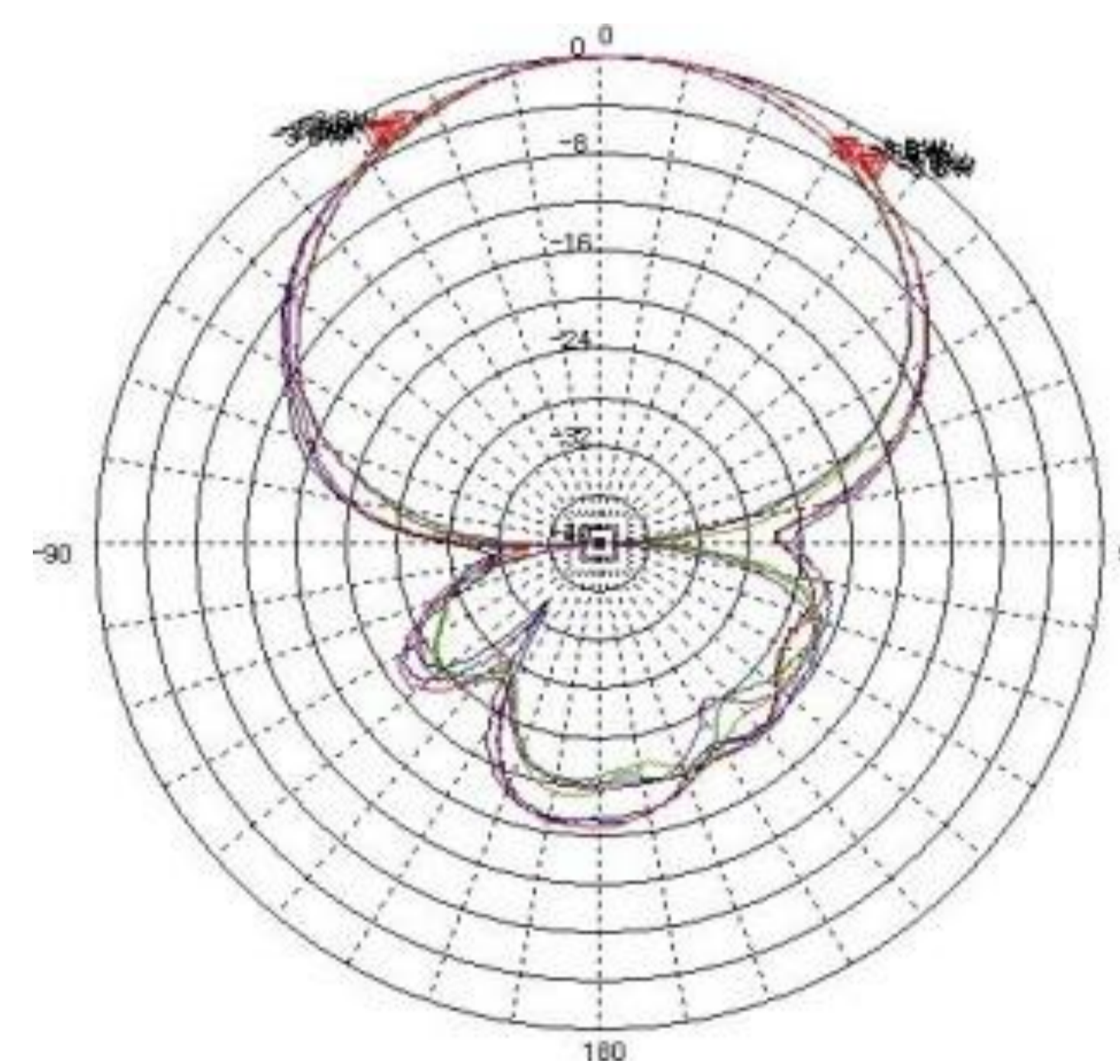
Radom Dimension (H x W x D)	140 x 104 x 29 mm	
Weight (Include bracket)	≤ 200 g	
Connector Type	SMA-Female x 1 (30cm cable)	
Withstand Wind Pressure	60 m/sec	
Radome Material	ABS	
Radome Color	 Cool Gray 1C	
Mechanical Down Tilt	± 25°	
Mechanical Swing	± 30°	
Temperature	-40 °C ~ 70 °C	
Packing Size (H x W x D) 5SET	-	
Packing Weight 5SET	-	



iii. Radiation Pattern



Horizontal Pattern



Vertical Pattern